

Product Features

- Up to 25.78Gb/s bi-directional data links
- Electrical interface specifications per SFF-8431
- Management interface specifications per SFF-8432 and SFF-8472
- Build-in dual CDR with bypass function
- SFP28 MSA package with duplex LC connector
- DWDM-rated EML Transmitter
- APD receiver
- 100GHz ITU Grid, C-Band
- Up to 10km on 9/125um SMF
- Single +3.3V power supply
- Class 1 laser safety certified
- 2.0W maximum power consumption
- Operating temperature Options:
 - (Industrial) -40°C to +85°C
- RoHS Compliant



Applications

- High speed storage area networks
- 25G high speed interconnection
- 25G DWDM Network
- CPRI/eCPRI

Descriptions

LX67xxIDH SFP28 transceivers, according to 25 Gigabit Small Form Factor Pluggable “SFP28” Multi-Sourcing Agreement (MSA) SFF-8431 Rev. 4.1 and SFF-8472 Rev. 12.0, are designed for use up to 10km length at 25.78Gb/s DWDM application. They are compatible with SFF-8432.

LX67xxIDH are compliant with RoHS.

Ordering Information

Table 1. Ordering Information

Part Number	Transmitter	Output Power	Receiver	Sensitivity @25.78G	Reach	Temp	DDM	RoHS
LX67xxIDH	DWDM EML	+0 ~ +5dBm	APD	<-19dBm	10km	-40 ~ 85°C	Available	Compliant

Table 2. Wavelength Guide for “xx” value (100GHz ITU-T channel)

Channel #	Product Part Number	Frequency (THz)	Center Wavelength (nm)
18	LX6718IDH	191.8	1563.05
19	LX6719IDH	191.9	1562.23

20	LX6720IDH	192.0	1561.42
21	LX6721IDH	192.1	1560.61
22	LX6722IDH	192.2	1559.79
23	LX6723IDH	192.3	1558.98
24	LX6724IDH	192.4	1558.17
25	LX6725IDH	192.5	1557.36
26	LX6726IDH	192.6	1556.55
27	LX6727IDH	192.7	1555.75
28	LX6728IDH	192.8	1554.94
29	LX6729IDH	192.9	1554.13
30	LX6730IDH	193.0	1553.33
31	LX6731IDH	193.1	1552.52
32	LX6732IDH	193.2	1551.72
33	LX6733IDH	193.3	1550.92
34	LX6734IDH	193.4	1550.12
35	LX6735IDH	193.5	1549.32
36	LX6736IDH	193.6	1548.51
37	LX6737IDH	193.7	1547.72
38	LX6738IDH	193.8	1546.92
39	LX6739IDH	193.9	1546.12
40	LX6740IDH	194.0	1545.32
41	LX6741IDH	194.1	1544.53
42	LX6742IDH	194.2	1543.73
43	LX6743IDH	194.3	1542.94
44	LX6744IDH	194.4	1542.14
45	LX6745IDH	194.5	1541.35
46	LX6746IDH	194.6	1540.56
47	LX6747IDH	194.7	1539.77
48	LX6748IDH	194.8	1538.98
49	LX6749IDH	194.9	1538.19
50	LX6750IDH	195.0	1537.40
51	LX6751IDH	195.1	1536.61
52	LX6752IDH	195.2	1535.82
53	LX6753IDH	195.3	1535.04
54	LX6754IDH	195.4	1534.25
55	LX6755IDH	195.5	1533.47

56	LX6756IDH	195.6	1532.68
57	LX6757IDH	195.7	1531.90
58	LX6758IDH	195.8	1531.12
59	LX6759IDH	195.9	1530.33
60	LX6760IDH	196.0	1529.55
61	LX6761IDH	196.1	1528.77

Pin Description

Table 3. Pin Description

Pin	Name	Function/Description	Notes
1	VeeT	Transmitter Ground	1
2	TX_Fault	Transmitter Fault (LVTTTL-O) - High indicates a fault condition	2
3	TX_Disable	Transmitter Disable (LVTTTL-I) – High or open disables the transmitter	3
4	SDA	Two wire serial interface Data Line (LVCMOS-I/O) (MOD-DEF2)	4
5	SCL	Two wire serial interface Clock Line (LVCMOS-I/O) (MOD-DEF1)	4
6	MOD_ABS	Module Absent (Output), connected to VeeT or VeeR in the module	5
7	RS0	NA	6
8	RX_LOS	Receiver Loss of Signal (LVTTTL-O)	2
9	RS1	NA	6
10	VeeR	Receiver Ground	1
11	VeeR	Receiver Ground	1
12	RD-	Inverse Received Data out (CML-O)	
13	RD+	Received Data out (CML-O)	
14	VeeR	Receiver Ground	
15	VccR	Receiver Power - +3.3V	
16	VccT	Transmitter Power - +3.3 V	
17	VeeT	Transmitter Ground	1
18	TD+	Transmitter Data In (CML-I)	
19	TD-	Inverse Transmitter Data In (CML-I)	
20	VeeT	Transmitter Ground	1

Notes:

1. The module signal grounds are isolated from the module case.
2. This is an open collector/drain output that on the host board requires a 4.7KΩ to 10KΩ pull-up resistor to VccHost.
3. This input is internally biased high with a 4.7KΩ to 10KΩ pull-up resistor to VccT.
4. Two-Wire Serial interface clock and data lines require an external pull-up resistor.
5. This is a ground return that on the host board requires a 4.7KΩ to 10KΩ pull-up resistor to VccHost.
6. Rate select can be set through the 2-wire bus in accordance with SFF-8472 v. 12.1, Rx Rate Select is set at Bit 3, Byte 110, A2h.
Tx Rate Select is set at Bit 3, Byte 118, A2h.

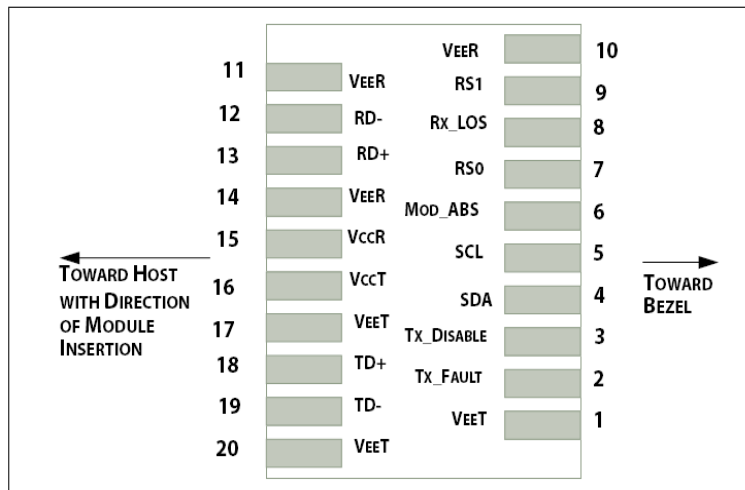


Figure 1. Host PCB SFP28 pad assignment top view

Absolute Maximum Ratings

Stresses in excess of the absolute maximum ratings can cause permanent damage to the device. These are absolute stress ratings only. Functional operation of the device is not implied at these or any other conditions in excess of those given in the operational sections of the data sheet. Exposure to absolute maximum ratings for extended periods can adversely affect device reliability.

Table 4. Absolute Maximum Ratings

Parameter	Symbol	Minimum	Maximum	Unit
Storage Temperature	T _s	-40	85	°C
Relative Humidity	RH	5	95	%
Supply Voltage	V _{cc}	-0.5	4.0	V

Recommended Operating Conditions

Table 5. Recommended Operating Conditions

Parameter	Symbol	Min	Typ	Max	Unit
Operating Temperature	T _c	-40	25	85	°C
Supply Voltage	V _{cc}	3.135	3.3	3.465	V
Data Rate	-	-	24.33 25.78	-	Gb/s

Transceiver Electrical Characteristics

Table 6. Transceiver Electrical Characteristics

Parameter	Symbol	Minimum	Typical	Maximum	Unit	Notes
Module Supply Current	I _{cc}	-		606	mA	
Power Dissipation	P _D	-	-	2000	mW	
Transmitter						
Input Differential Impedance	Z _{IN}	-	100	-	Ω	
Differential Data Input Swing	V _{IN, P-P}	180	-	700	mV _{P-P}	
TX_FAULT	Transmitter Fault	V _{OH}	2.0	-	V _{CCHOST}	V
	Normal Operation	V _{OL}	0	-	0.8	V
TX_DISABLE	Transmitter Disable	V _{IH}	2.0	-	V _{CCHOST}	V
	Transmitter Enable	V _{IL}	0	-	0.8	V
Receiver						
Output Differential Impedance	Z _O	-	100	-	Ω	
Differential Data Output Swing	V _{OUT, P-P}	300	-	850	mV _{P-P}	1
Data Output Rise Time, Fall Time	t _r , t _f	15	-	-	ps	2

RX_LOS	Loss of signal (LOS)	V_{OH}	2.0	-	V_{CCHOST}	V	3
	Normal Operation	V_{OL}	0	-	0.8	V	3

Notes:

1. Internally AC coupled, but requires a external 100Ω differential load termination.
2. 20 – 80 %.
3. LOS is an open collector output. Should be pulled up with 4.7kΩ on the host board.

Transmitter Optical Characteristics

Table 7. Transmitter Optical Characteristics

Parameter	Symbol	Minimum	Typical	Maximum	Unit	Notes
Launch Optical Power	P_o	+0	-	+5	dBm	1
Extinction Ratio	ER	4.5	-	-	dB	-
Center Wavelength Range	λ_c	1528.77	-	1563.05	nm	-
Transmitter and Dispersion Penalty	TDP	-	-	4	dB	-
Spectral Width	$\Delta\lambda$	-	-	1	nm	2
Optical Return Loss Tolerance	ORLT	-	-	21	dB	-
Pout @TX-Disable Asserted	P_{off}	-	-	-30	dBm	-

Notes:

1. Class 1 Laser Safety per FDA/CDRH and EN (IEC) 60825 regulations.
2. 20dB spectral width.

Receiver Optical Characteristics

Table 8. Receiver Optical Characteristics

Parameter	Symbol	Minimum	Typical	Maximum	Unit	Notes
Center Wavelength	λ_c	1528	-	1565	nm	-
Receiver Sensitivity (Avg)	RxSENS1	-	-	-19	dBm	1
Receiver Overload	P_{OL}	-4	-	-	dBm	-
Optical Return Loss	ORL	26	-	-	dB	-
LOS De-Assert	LOS_D	-	-	-19	dBm	-
LOS Assert	LOS_A	-35	-	-	dBm	-
LOS Hysteresis	-	0.5	-	-	dB	-

Notes:

1. Measured with PRBS 2³¹-1 at 5 × 10⁻⁵ BER.

General Specifications

Tale 9. General Specifications

Parameter	Symbol	Minimum	Typical	Maximum	Unit	Notes
Data Rate	BR		25.78		Gb/s	
Bit Error Rate	BER			5×10^{-5}		1
Supported Link Length on 9/125um SMF, 25.78Gb/s	L	-	10		km	2

Notes:

1. Tested with a PRBS $2^{31}-1$ test pattern for 25.78Gb/s operation.
2. Distances are based on FC-PI-6 Rev. 3.1 and IEEE 802.3 standards.

Recommended Host Board Power Supply Filter Network

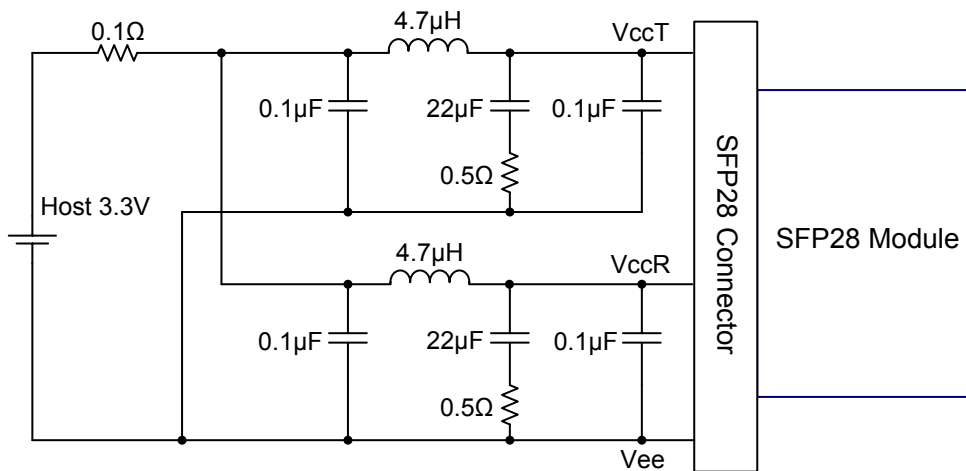


Figure 2. Recommended Host Board Power Supply Filter Network

Recommended Application Interface Block Diagram

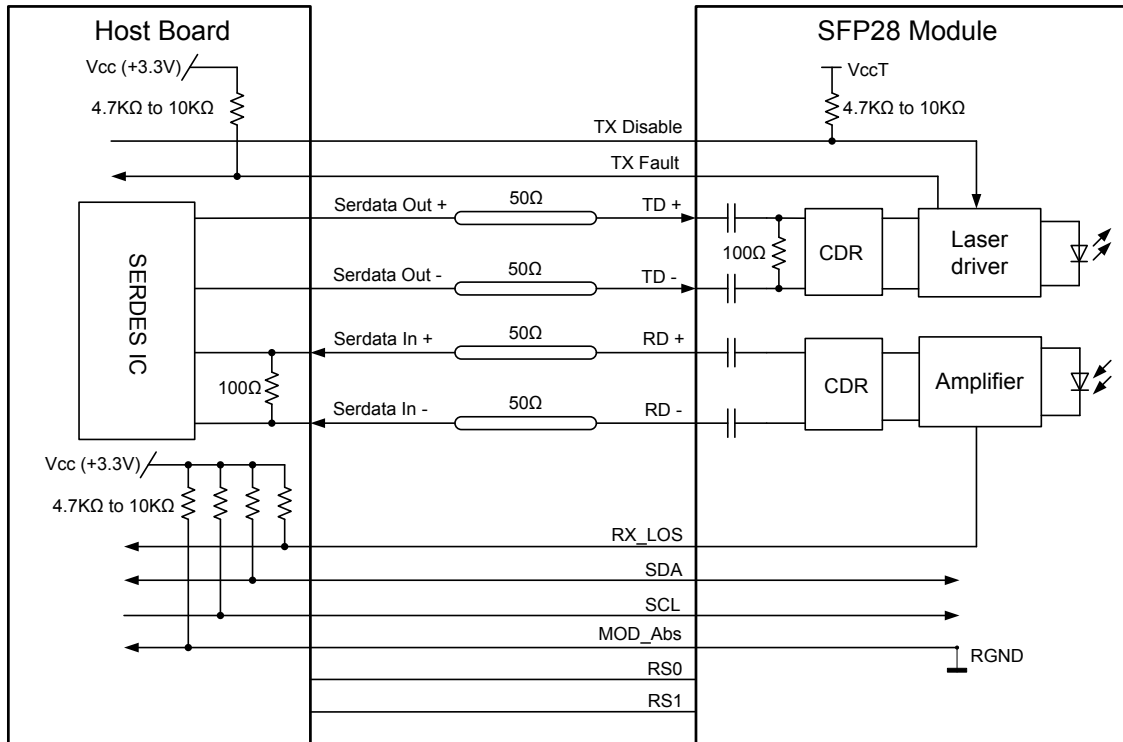


Figure 3. Recommended Application Interface Block Diagram

Mechanical specifications

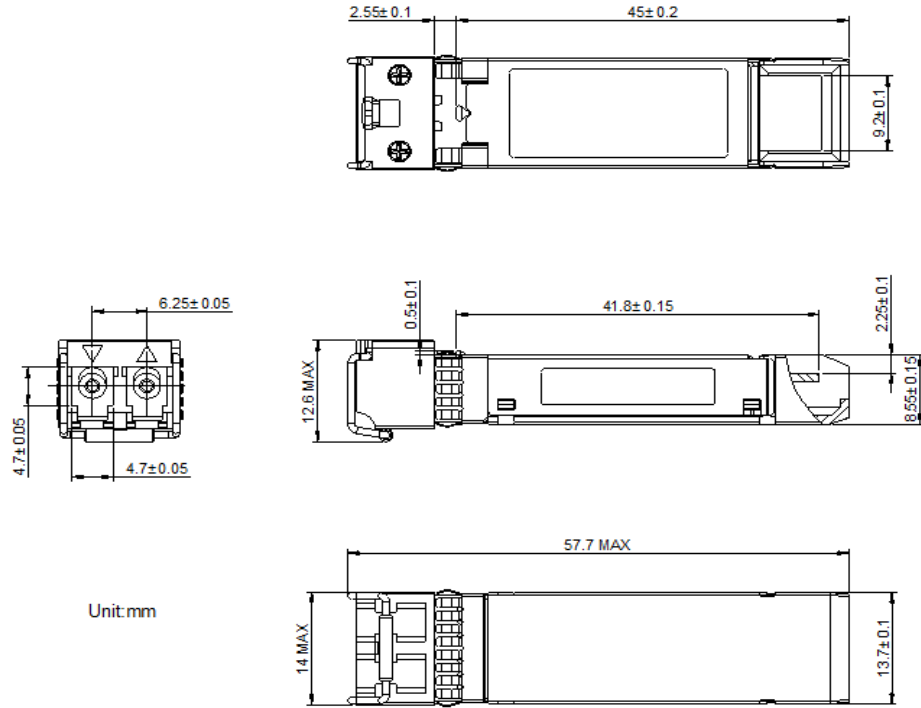


Figure 4. Outline Drawing

PCB layout recommendation

- Notes:
1. Datum and basic dimensions established by customer
 2. Pads and vias are chassis ground, 11 places
 3. Thru holes, plating optional

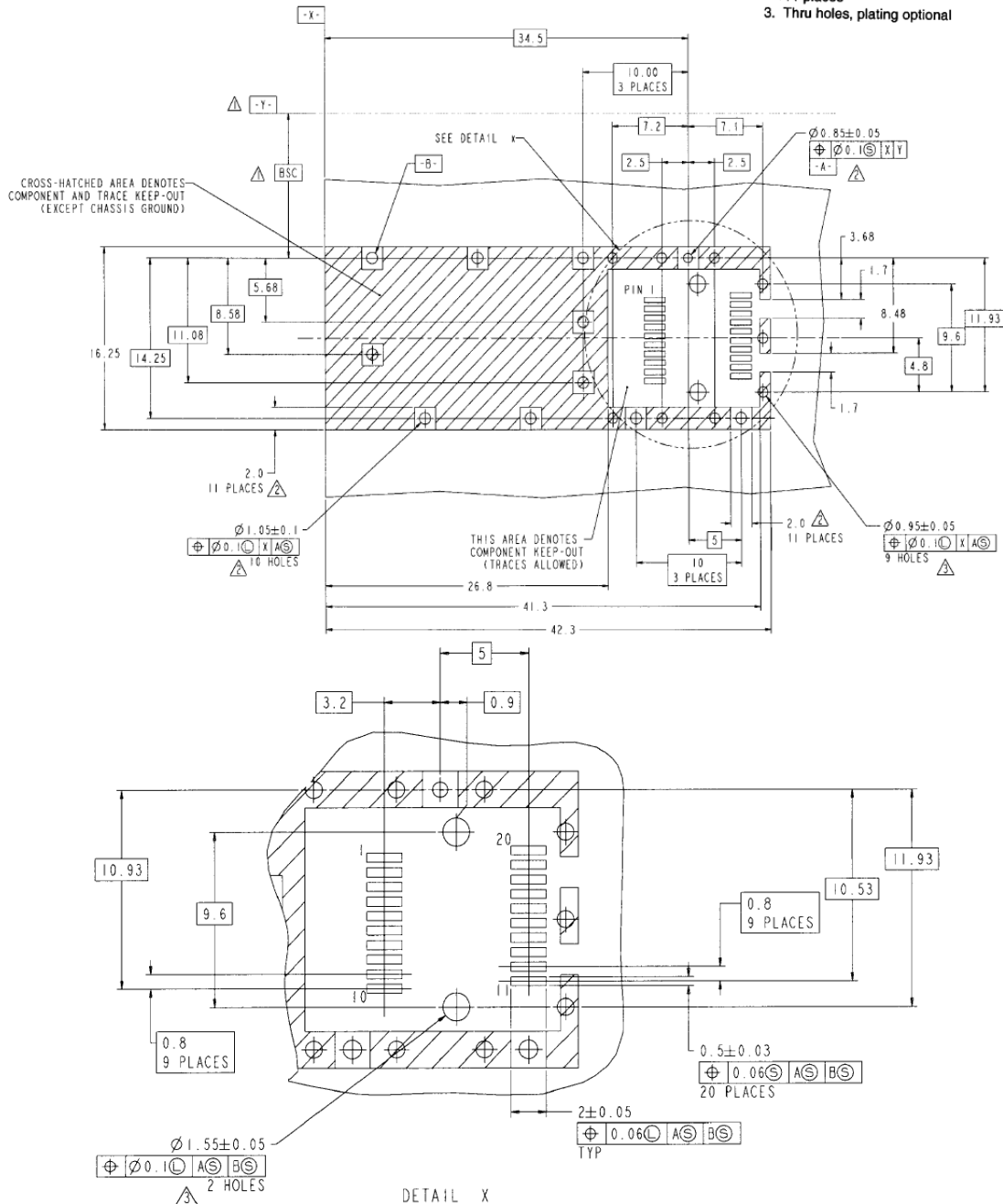


Figure 5. PCB layout recommendation

Revision History

Date	Rev	Description	Modified By
05/22/2019	V0.1	Preliminary Release	Shizheng Huang
09/25/2020	V1.0	Add CPRI/eCPRI Application	Shizheng Huang

For More Information

Linktel Technologies Co., Ltd

info@linkteltech.com

www.linkteltech.com

Linktel USA

1601 McCarthy Blvd #9, Milpitas, CA 95035, USA

Tel: +1 408 807 0482

Email: linktelus@linkteltech.com

jimli@linkteltech.com

Linktel International (Except USA)

E12, No. 52 Liufang Road, East-Lake Hi-tech Development Zone, Wuhan, China

Tel: +86 27 8792 9207

Email: ailsagong@linkteltech.com

Linktel China

E12, No. 52 Liufang Road, East-Lake Hi-tech Development Zone, Wuhan, China

Tel: +86 27 8792 9213

Email: lifan@linkteltech.com